



Our Brand Promise

Ingersoll Rand will enable all customers to have “Peace of Mind” by providing innovative security solutions to protect themselves, their homes and commercial properties.

New Zealand Customer Service

Auckland Customer Service Phone **(09) 829 0553**
 Auckland Customer Service Fax **(09) 829 0557**
 National Customer Service Phone **0800 477 869**
 National Customer Service Fax **0800 477 868**
 Customer Service Email **nz_custserv@irco.com**
 Email **info@ingersollrand.co.nz**
 Website **www.ingersollrand.co.nz**

Australia Customer Service

National Customer Service Phone **1800 098 094**
 National Customer Service Fax **1800 098 095**
 Email **au_custserv@irco.com**
 Website **www.ingersollrand.com.au**

Four levels of privacy and security in one

Legge Privacy Plus offers a simple solution for the often complicated task of managing access to one room via multiple doorways. This synchronised electronic locking solution is capable of enabling four different levels of privacy and security from one controller.

The system can be configured to *Standard Privacy*, *Secure Privacy*, *Air Lock* or *Man Trap*, all of which depend on the desired degree of privacy, security and the needs of varying facilities.

Combined with Legge electric mortice locks and door furniture, the Legge Privacy Plus Electronic Locking System presents a high performing, aesthetically pleasing option for any commercial environment with multiple access challenges.

The positives of Legge Privacy Plus

+ A total privacy solution

Central to the four-in-one capability of this system is an Electronic Door Control Unit which can be used with any one of four switch kits.

Design integrity is ensured through compatibility with Legge door hardware and electric mortice locks.

Control Unit: Multi-function Australian manufactured controller pack includes cabling.

Switch Kits: SK1 - Standard Privacy, SK2 - Secure Privacy, SK3 - Air Lock, SK4 - Man Trap. All switch options are supplied for easier purchasing and project management.

Door Furniture: Legge levers represent a contemporary, quality solution of lasting durability. Legge 990 series mortice lock or latch with corresponding Legge lever door furniture is compliant with standards required for enhanced access and mobility. Meets requirements of NZS4121:2001, AS1429.1.2009 and AS4145.2-2008.



+ Global brand, local know-how with Legge and Ingersoll Rand

The Legge brand is synonymous with innovation in commercial environments. The secure protection afforded by Legge is strengthened even further by Ingersoll Rand's in-depth knowledge of security technologies and Australasian market understanding. A close association to the Australasian architectural and interior design community ensures relevant contemporary design solutions are forged with the highest degree of quality and durability.

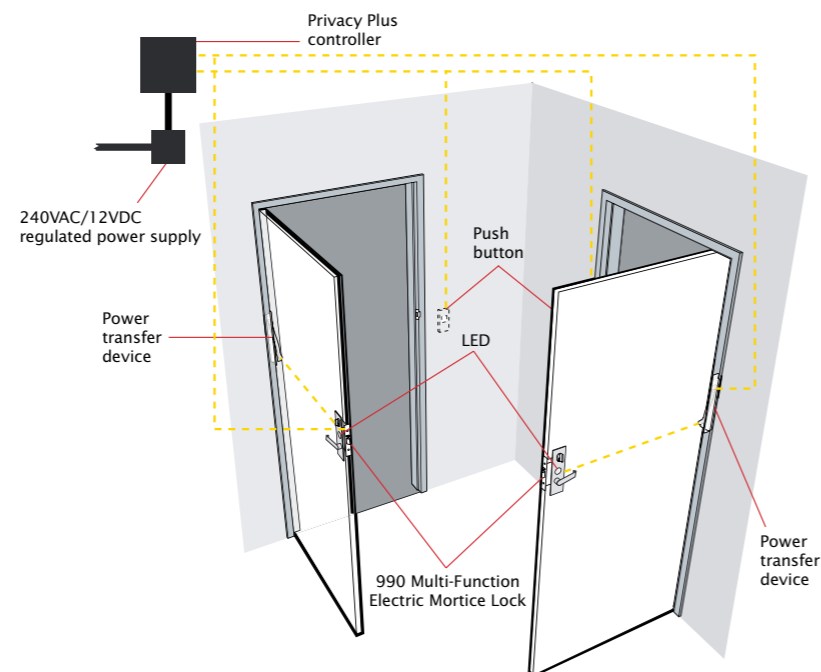
+ Preventing inter-room travel

At a conference facility it may be desirable to allow inter-room travel. However, inter-room travel would not be appropriate for a hospital with a shared ensuite, where privacy and security are essential.

Legge Privacy Plus allows you to match security requirements to system configuration and budget.

+ Universally understood simplicity

For the user, simplicity is achieved by easy push button operation and LED lights that communicate in the universally understood terms of 'green' for go and 'red' for stop. For the installer, operation is easy with four different switch kit choices.



Configuration	Prior to Entry	Locking Scenario	Unlocking Scenario	Suitable Applications	Activation	Advantages
Standard Privacy (Switch Kit 1)	Doors are unlocked when room is vacant, LEDs are green.	Upon push of switch from inside, all doors lock.	Upon operation of any inside door lever all doors unlock. Exit can be made through either door.	<ul style="list-style-type: none"> Sound studios Conference rooms Darkroom studios 	Push Button/ Lever handle	<ul style="list-style-type: none"> Automated privacy Simple operation Others sharing a room have access (when room is not occupied)
Secure Privacy (Switch Kit 2)	Doors are locked when room is vacant. LEDs are red.	Upon push of switch from outside, the one door unlocks. Upon push of switch from inside, the door entered through locks.	Upon push of unlock switch from inside, the door entered from will open. Once closed the door will automatically lock again.	<ul style="list-style-type: none"> Shared ensuite in hotels, hospitals and aged care facilities 	Push Button	<ul style="list-style-type: none"> Inter-room travel is prevented to provide an extra level of security Automated privacy Simple operation
Air Lock (Switch Kit 3)	Doors are unlocked when both doors are in closed position, LEDs are green.	Opening either door via lever handle will allow access and simultaneously lock the other door creating an air lock.	Closing the open door resets the system and both doors are unlocked.	<ul style="list-style-type: none"> Operating rooms Research and scientific labs 	Lever Handle	<ul style="list-style-type: none"> Air lock is created as the second door is disabled during operation of first door. Nothing can pass through one door while the other is open Automated privacy and security
Man Trap (Switch Kit 4)	Doors are locked on both sides, LEDs are red.	Upon push of switch from outside, the one door unlocks. Whilst the door is opened, the other door remains locked and cannot be unlocked by the outside switch.	Closing the open door resets the system and both doors are locked.	<ul style="list-style-type: none"> High security facilities Cash handling Scientific laboratories 	Push Button	<ul style="list-style-type: none"> Man trap is created as the second door is disabled during operation of the first door. No one can enter or exit the room while the other door is open Automated security

A typical shared room would require the following components:

- 1 x Legge Privacy Plus Controller with 12v Power Supply (LE-PPC)
- 1 x Legge Privacy Plus Switch Kit (Privacy LE-PPSK1, Secure Privacy LE-PPSK2, Air Trap LE-PPSK3 or Man Trap LE-PPSK4)
- 2 x Legge Power Transfer Devices (IRT881SS)
- 2 x Legge 990 Multi-Function Electric Mortice Locks
- 2 x Legge 700 Series Alpha Exterior Door Furniture with LED (LA703LEDS)
- 2 x Legge 700 Series Alpha Interior Door Furniture with LED (LA712LEDS)